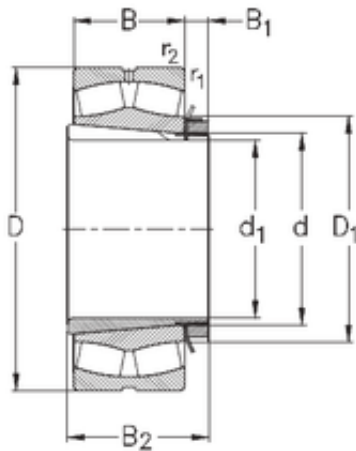




Accessories Production and Processing...



110 mm x 200 mm x 53 mm NKE 22222-E-K-W33+H322 spherical roller bearings

Bearing No. 22222-E-K-W33+H322

22222-E-K-W33+H322 Bearing 2D drawings and 3D CAD models

Size	110x200x53 mm
Bore Diameter	110 mm
Outer Diameter	200 mm
Width	53 mm
d	110 mm
d1	100 mm
D	200 mm
B	53 mm
C	53 mm
r1 min.	2,1 mm
r2 min.	2,1 mm
B1	21 mm
B2	77 mm
D1	145 mm
Weight	8,75 Kg
Basic dynamic load rating (C)	488 kN
Basic static load rating (C0)	653 kN
Limiting speed	4000 r/min
Calculation factor (e)	0,25
Calculation factor (Y0)	2,6
Calculation factor (Y1)	2,7