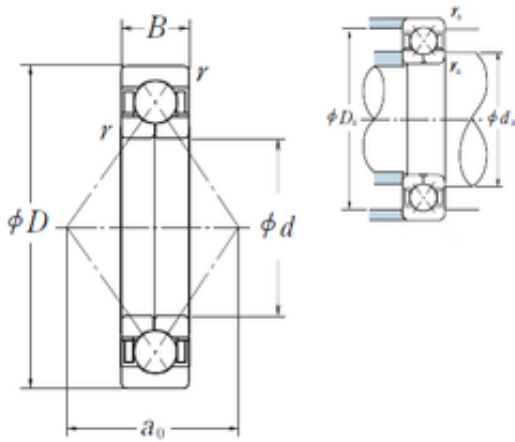




## Accessories Production and Processing...



150 mm x 320 mm x 65 mm NSK QJ 330  
angular contact ball bearings

Bearing No. QJ 330

Size	150x320x65 mm
Bore Diameter	150 mm
Outer Diameter	320 mm
Width	65 mm
d	150 mm
D	320 mm
B	65 mm
C	65 mm
Angle ( ° )	35 °
a	164,5 mm
r min.	4 mm
da min.	168 mm
da max	302 mm
ra max.	3 mm
Weight	29 Kg
Basic dynamic load rating (C)	460 kN
Basic static load rating (C0)	1230 kN
(Grease) Lubrication Speed	1 600 r/min

QJ 330 Bearing 2D drawings and 3D CAD models